

STAINLESS STEEL 304  
PRESS FIT FITTINGS  
(M PROFILE)

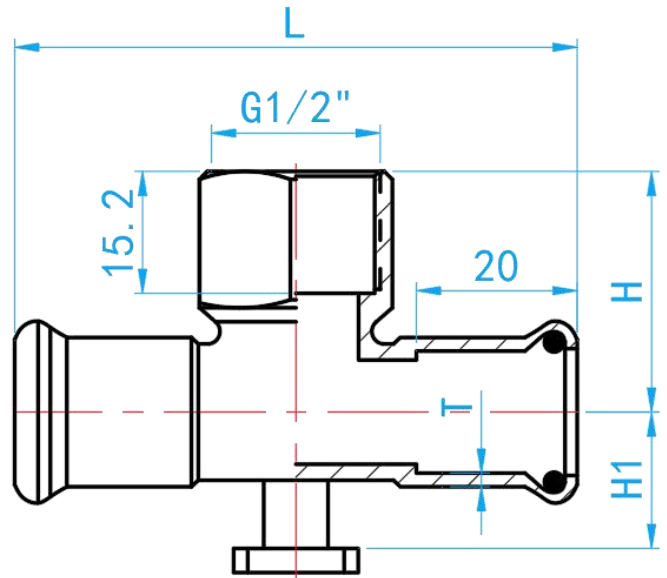
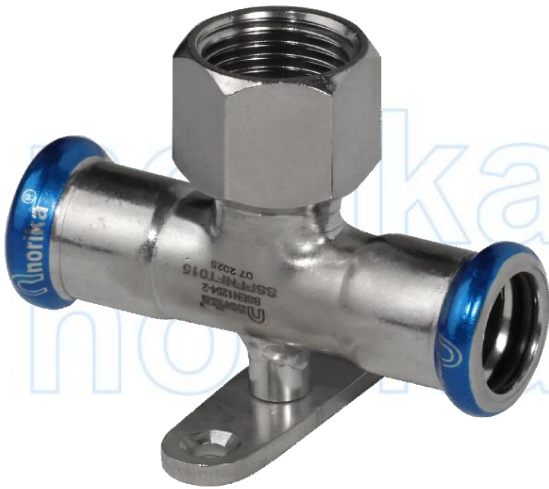


A Product of the nPressGuard<sup>®</sup> Solution



COMPLY WITH BSEN1254-2: 1998

Wall Plate FI Tee



CROSS SECTIONAL VIEW

DIMENSIONS

SKU	SIZE (mm x mm x inch)	L (mm)	H (mm)	H1 (mm)	T (mm)	WEIGHT (kg)	PCS/CTN
SSPFNFT015	15×15×1/2"BSP	70	32	20	1.5	0.093	140